

HEARING LOOP 101 FOR YOUR HOME OR OFFICE

Loop'n Lou Touchette
loutouchette1@gmail.com

What is a Hearing Loop?

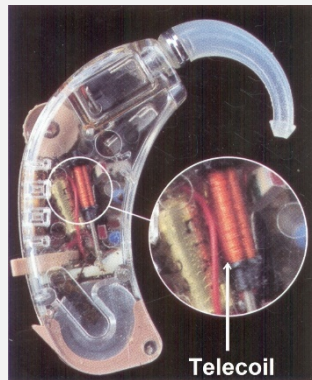
A hearing loop is a special sound system for people with hearing loss. It is composed of a loop amplifier and wire that is looped around a room. Anyone within the loop wearing a telecoil equipped **hearing device** or using a **loop receiver** will hear what is transmitted by the loop amplifier.

WHO CAN USE A
HEARING LOOP?

People who have:

TELECOIL-ENABLED DEVICES

- **Hearing Aid(s)**
- **Cochlear Implant Processor(s)**
- **Bone conduction hearing devices**
- **Streamer with telecoil**



NO hearing aids
NO telecoil in hearing aids



Use a hearing loop receiver

CONNECTING A HEARING LOOP DRIVER

Via a wire or pad

HEARING LOOP AMPLIFIER

Rear View



Power



Loop
wire



Digital
audio



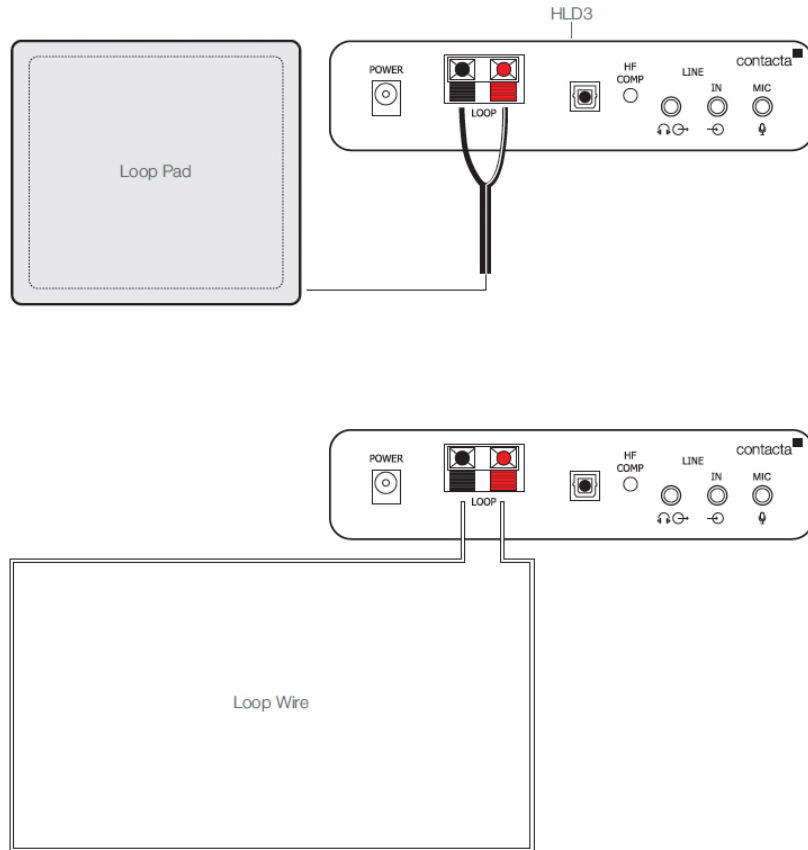
Headphone



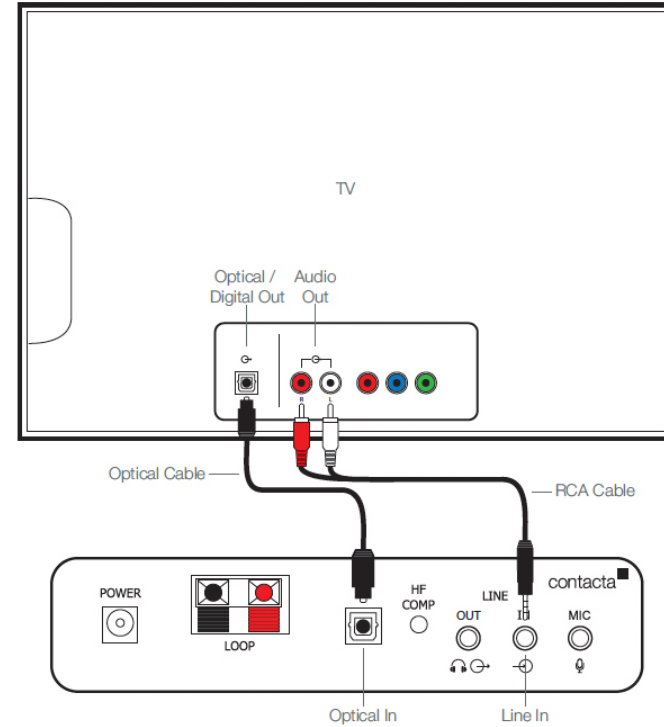
Microphone

Please note: Illustrations are not to scale

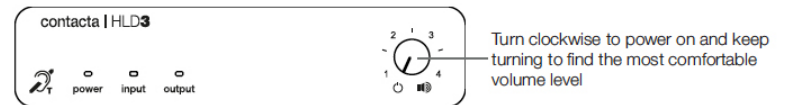
1 Install the loop pad or the loop wire



2 Connect to the TV using the optical or the RCA cable



3 Adjust the volume on the driver and hearing aid



INSTALLATION OF HEARING LOOP WIRE

WIRE GAUGE

Install the loop wire, before attaching to the amplifier

Manufacturers' recommendations or

- AWG 22 gauge wire **up to 80'** in length
- AWG 20 gauge wire **80 - 120'** in length
- AWG 18 gauge wire **120 - 200'** in length

Wire can be bought at electrical supply stores

1. Where can a loop wire be located?

The loop wire can be run

- overhead
- around the baseboard
- under the carpet
- placed in the ceiling of the floor below
- placed under an area rug

To maintain uniform signal strength, the wire should always be maintained at the same height around the room.

2. How to install hearing loop wire?

- The loop wire can be run above the baseboard or tucked under it.
- At doorways, if the floor is carpeted, you can use a box knife to cut a 1” slit in the carpet and run the wire under the carpet to the other side of the doorway.

A straightened coat hanger can be used as a needle to fish the wire under the carpeting.

3. Things to avoid

- Do not install the wire at ear height.
- Do not run a loop wire near or against a metal object for more than a few feet as metal decreases loop signal strength.

4. Adjusting the loop signal strength

- Sit in your favorite place and have someone adjust the loop volume to a comfortable level for you.
- **High-Frequency Compensation**—metal loss occurs when a large amount of metal in the surrounding area affects your hearing loop's higher audio tones. To adjust for this, turn the HF Comp adjuster clockwise until the higher pitched sounds are at a suitable strength.
- For best sound (highs, mid-range, and bass) a pleasant 50-50 blend of loop and TV volume should be obtained.

5. Can I paint my loop wire?

- Many people have painted the loop wire to match their wall color. This does not harm the wire or affect the quality of your signal strength.
- Loop wire comes in about six basic colors with white being the most popular.

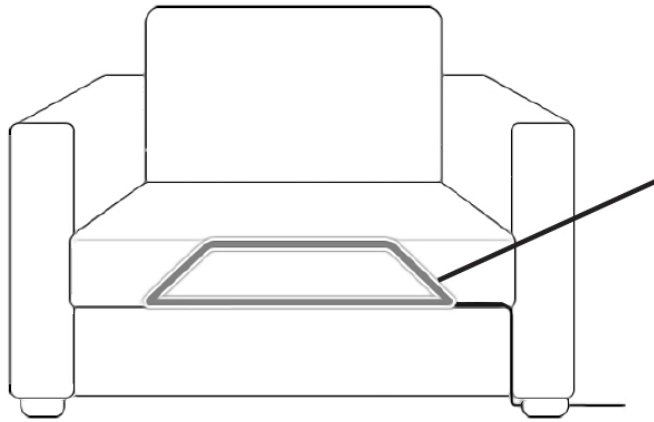
CONNECTIONS

CONNECTIONS

1. TV
2. cable box
3. satellite receiver
4. TIVO
5. DVR

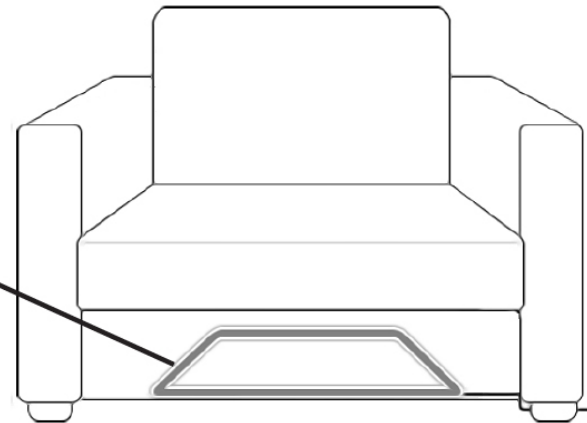
All can be used to connect to a hearing loop driver. You can use the digital optical out or RCA out jacks.

USING A LOOP PAD



Hearing loop pad placed underneath the cushion of the chair.

Hearing loop pad fixed underneath the chair or placed on the floor.



USING THE HEARING LOOP WITH A MICROPHONE



Wired microphones or wireless microphone receiver plugs into MIC port

QUESTIONS

COMMON QUESTIONS

Why can I hear the loop when I'm in an adjacent room?

You are experiencing **spillover**. The range can vary, but it is rare that you'll notice this beyond about 4 to 6 feet outside of the loop.

COMMON QUESTIONS

Why do I have to cock my head up or down to hear the loop?

Telecoil orientation may be vertical or horizontal, and is determined by the hearing device manufacturer. A vertical orientation is best for using a room loop.

COMMON QUESTIONS

Why is the volume on my home hearing loop different than looped public locations?

Hearing loops in public places are adjusted to the International Electrotechnical Commission (IEC) standard.

Ask your hearing health care provider to adjust the telecoil volume in your hearing device to match the IEC standard. After being adjusted, readjust your home loop again so it is comfortable for you.

COMMON QUESTIONS

Can I take my hearing loop system with me when I travel?

Absolutely! Some loop amplifiers have optional **loop pads**. You can take your amplifier with you and use it in motel rooms with the loop pad.

COMMON QUESTIONS

I often have company and have a hard time hearing them. Can I use my hearing loop to understand conversation in my home?

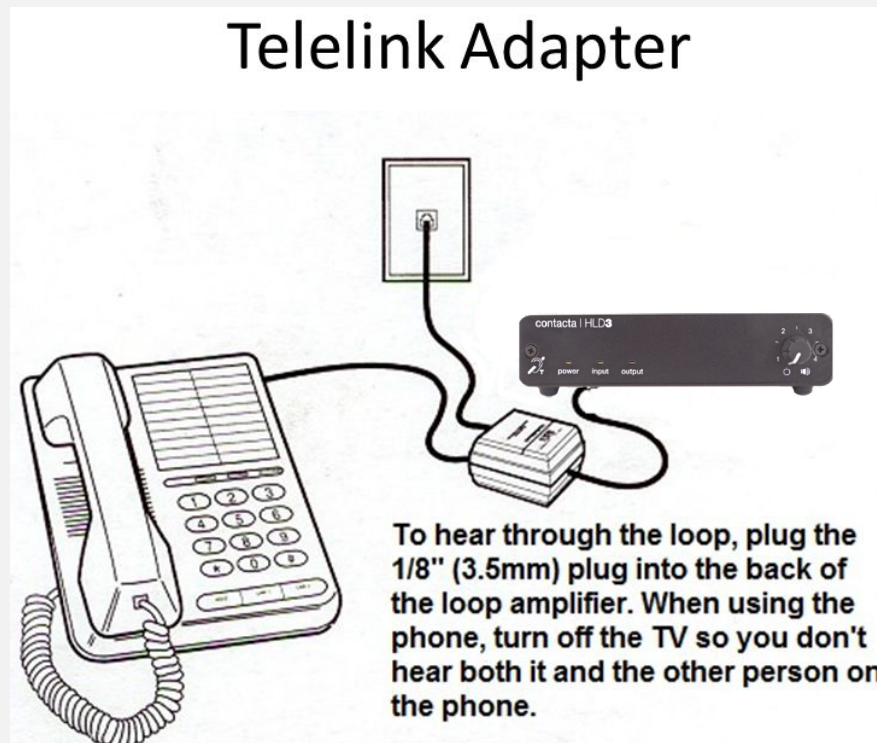
Microphones can be attached to your hearing loop amplifier. They can be wired or wireless. Simply have your guest(s) speak into the microphone and you'll be able to hear them through the loop.

COMMON QUESTIONS

Can I connect my telephone to the hearing loop system?

Yes, Telelink adapters available can work with the hearing loop. Also a suction cup microphone can be attached to the handset and connected to the amplifier.

With Telephone—Telelink Adapter



Will work with a corded or cordless telephone.

COMMON QUESTIONS

Can I **mute** a hearing loop?

- No, small loop amplifiers **do not** come with muting capability.
- If the TV has an earphone jack, you can use it, but it will mute the sound from the TV's speakers.
- A **wireless lamp switch** can be purchased to mute it. Costs about \$10 at Home Depot including a remote control.

COMMON QUESTIONS

Can I use my hearing loop in my Recreation Vehicle (RV) or automobile?

- Loop amplifiers can be installed in both RVs and automobiles. Use an optional DC adapter to plug into the cigarette lighter receptacle.
- You don't have to buy multiple loop amplifiers. You can share the one from your home with the RV or automobile as needed.

COMMON QUESTIONS

Is **Bluetooth** technology the same as a hearing loop?

- NO—Bluetooth is a wireless technology that works **independently** of a loop.
- Bluetooth technology is one-to-one
- Hearing loop technology is one-to-many



TROUBLESHOOTING

Symptom	Possible Fault	Action
No power detected in the hearing loop driver/power indicator isn't illuminated.	<ol style="list-style-type: none"> 1. Power cable not plugged in or faulty. 2. Faulty power supply unit. 3. Plug fuse has blown. 4. Driver has a fault. 	<ol style="list-style-type: none"> 1. Check power cable is firmly plugged in. 2. Change the power supply unit. 3. Change the plug fuse. If it blows again, contact your dealer. 4. Contact your local dealer.
Input light isn't illuminated.	<ol style="list-style-type: none"> 1. Sound source isn't powered on. 2. Input disconnected. 3. Driver has a fault. 	<ol style="list-style-type: none"> 1. Make sure the television or sound source is switched on. 2. Ensure either the optical out or line out is connected to the HLD3 from the audio source. 3. Contact your local dealer

Symptom	Possible Fault	Action
Output light isn't illuminated.	<ol style="list-style-type: none">1. Volume is too low2. Hearing loop pad or cable incorrectly installed or disconnected.3. Driver has a fault.	<ol style="list-style-type: none">1. Turn up the volume on the driver.2. Ensure all installation instructions have been followed carefully.3. Contact your local dealer.
No audio is heard through the hearing loop.	<ol style="list-style-type: none">1. Volume is too low.2. If using a hearing loop pad, the hearing device user isn't seated above the hearing loop pad.3. Hearing loop pad or cable incorrectly installed or disconnected.4. Driver has a fault.	<ol style="list-style-type: none">1. Adjust the volume on the driver and on the hearing device.2. Make sure the hearing device wearer is seated where the hearing loop pad is located.3. Ensure all installation instructions have been followed carefully.4. Contact your local dealer.

Symptom	Possible Fault	Action
Interference—buzzing, whistling, hissing is heard through the hearing loop.	<ol style="list-style-type: none"> 1. Incorrect power supply is being used. 2. Unscreened or poorly grounded third party equipment is being used in close proximity. 	<ol style="list-style-type: none"> 1. Ensure that the supplied grounded power supply is being used. 2. Switch off any third party equipment to identify the source of interference.
No sound when using headphones.	<ol style="list-style-type: none"> 3. The optical input isn't being used. 4. Driver has a fault. 	<ol style="list-style-type: none"> 3. This function is only available when using the optical input. 4. Contact your local dealer.

Special thanks to Contacta, Inc for graphics and troubleshooting guidelines.

Where can I purchase Hearing Loops?

In addition to the sites below, sources for buying hearing loop equipment can be found on the Internet— just **GOOGLE**/search **hearing loops**

<http://www.harriscomm.com>

<https://smile.amazon.com>

THANKS

ANY QUESTIONS?

CONTACT ME:

LOOP'N LOU TOUCHETTE

LOUTOUCHETTE1@GMAIL.COM

CREDITS

Special thanks to:

Contacta, Inc

HLAA GITHL Committee

Ann Thomas, HLAA-Diablo Valley Chapter





GET IN THE
HEARING
LOOP

<http://hearingloss-wa.org>

